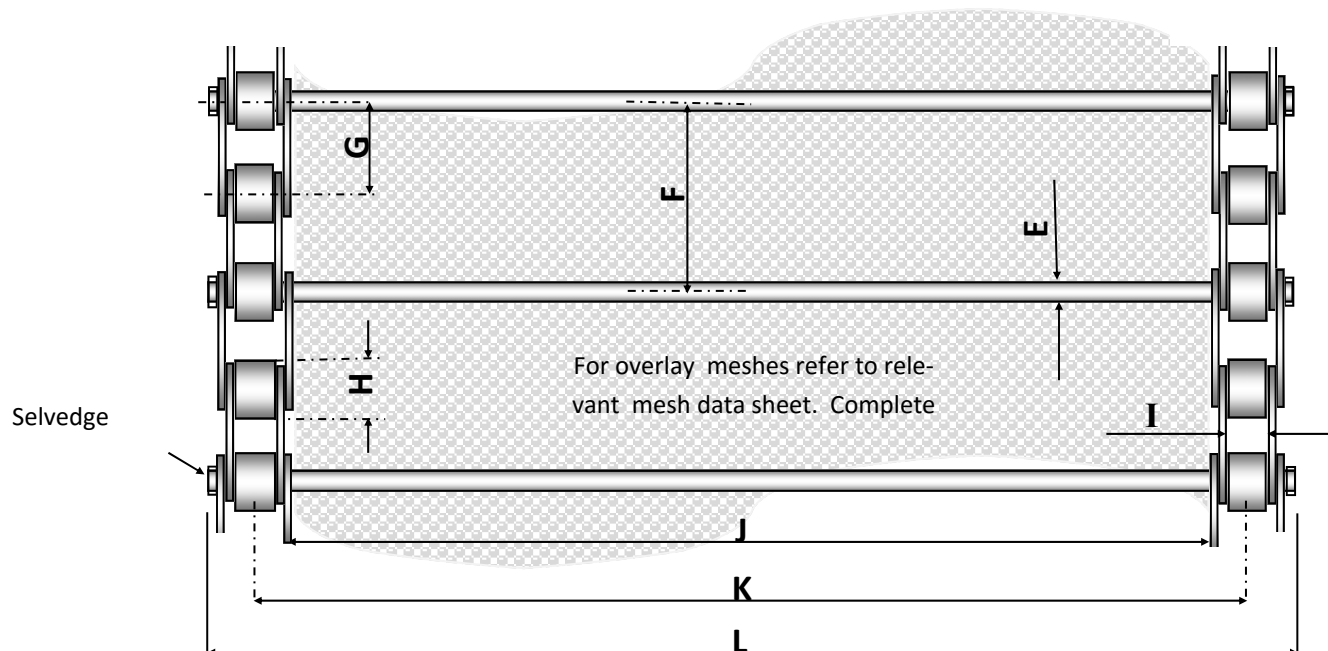




## Conveyor Roller Chain Edge for Woven Meshes

Request for Further Information / Quotation

Please supply the following dimensions, where applicable:



**\*NOTE: When measuring pitches A & C, it is best practice to measure over 10 pitches and then divide by 10 to obtain the average pitch.**

<b>Selvedge</b>  Welded Washer  Cotter Pin & Washer	<input type="checkbox"/>  <input type="checkbox"/>	<b>Optional cross rod selvedge finishes:</b> i) Welded Nut (WN) ii) Welded flush to chain through pin joint iii) Welded flush through inner chain plates. iv) Other.....
---	--	--

Coil Pitch (A)*	mm	Chain Pitch (G):	mm
Coil Wire Diameter (B): (If Flat-Wire, Then please give cross section.)	mm	Chain Roller Dia. (H):	mm
Crimped Cross Wire Pitch (C)*	mm	Inside Chain Width (I):	mm
Crimped Cross Wire Dia. (D):	mm	Width Between Chains / Mesh Width (J):	mm
Cross Rod Diameter (E):	mm	Chain Centres (K):	mm
Cross Rod Pitch (F):	mm	Overall Width (L):	mm
Selvedge Finish (see above):		Side Chain Style: Hollow Pin <input type="checkbox"/> / Solid Pin <input type="checkbox"/>	
Mesh & Cross Rod Material:		Chain Edge Material:	

Please add further information here or on separate sheet:

**Please note any Markings or Stamps on Chain or Drive Sprockets**